

FilterQuick™ FQE30

Electric Fryer

Wiring Diagrams

This manual is updated as new information and models are released. Visit our website for the latest manual.



8 1 9 7 2 2 5

Part Number: FRY_D_8197225 09/2017

 **DANGER**

Prior to movement, testing, maintenance and any repair on your Frymaster fryer, disconnect ALL electrical power from the fryer.

FILTERQUICK™ FQE30 SERIES ELECTRIC FRYER

Table of Contents

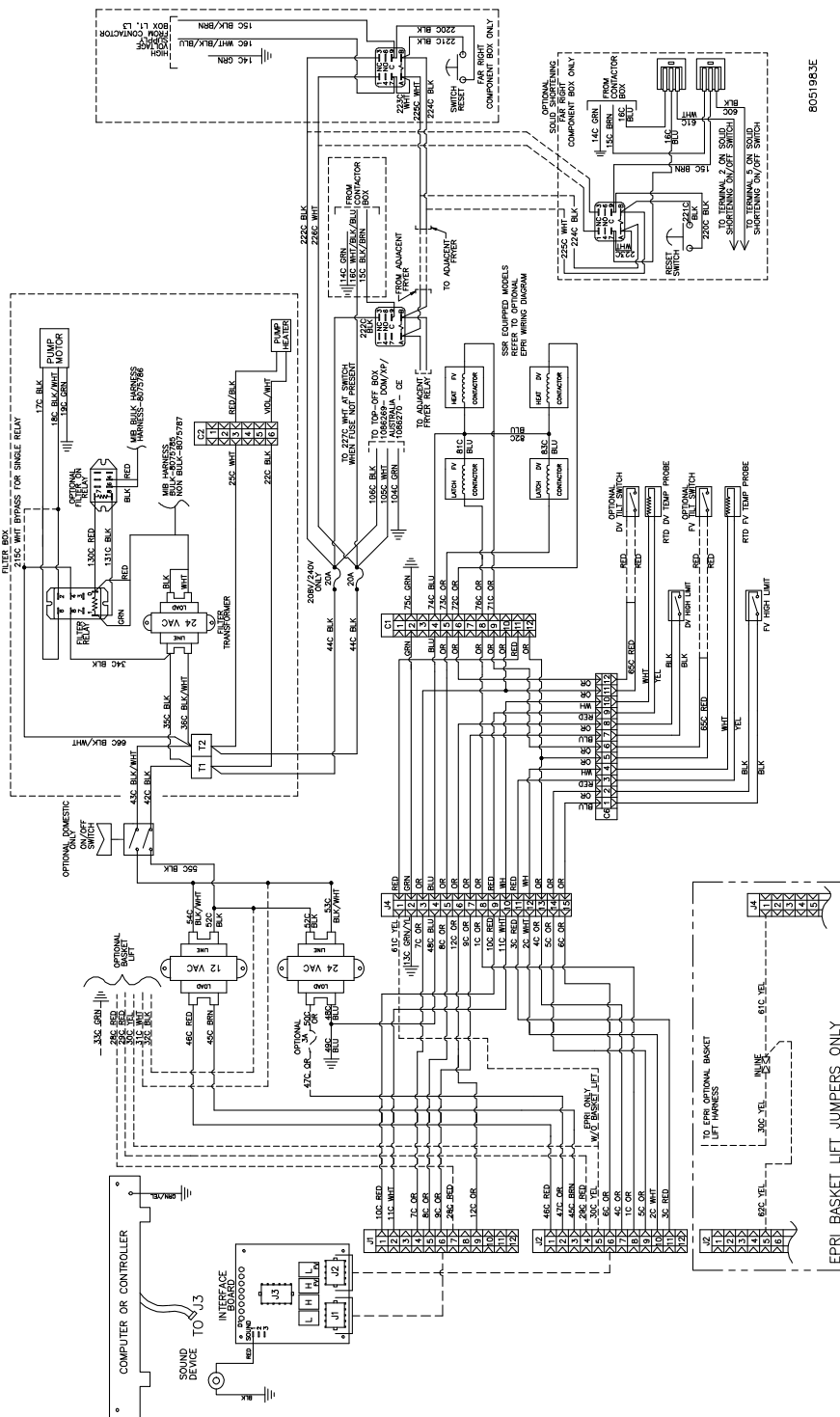
SECTION 1: Wiring Diagrams

1.1 Control Wiring	1-1
1.2 Contactor Box – Delta Configuration	1-2
1.3 Contactor Box – Delta Configuration 14kW/17kW EPRI/TRIAC	1-3
1.4 Contactor Box – WYE Configuration	1-4
1.5 Contactor Box – WYE Configuration 14kW/17kW EPRI/TRIAC.....	1-5
1.6 Simplified Wiring	1-6
1.6.1 Simplified Wiring with Push Button.....	1-6
1.6.2 Simplified Wiring with Push Pull Handles.....	1-7
1.7 Shortening Melting Unit	1-8
1.8 Modular Basket Lift 100-120V	1-9
1.9 Modular Basket Lift 208-250V	1-10

FILTERQUICK™ FQE30 SERIES ELECTRIC FRYER

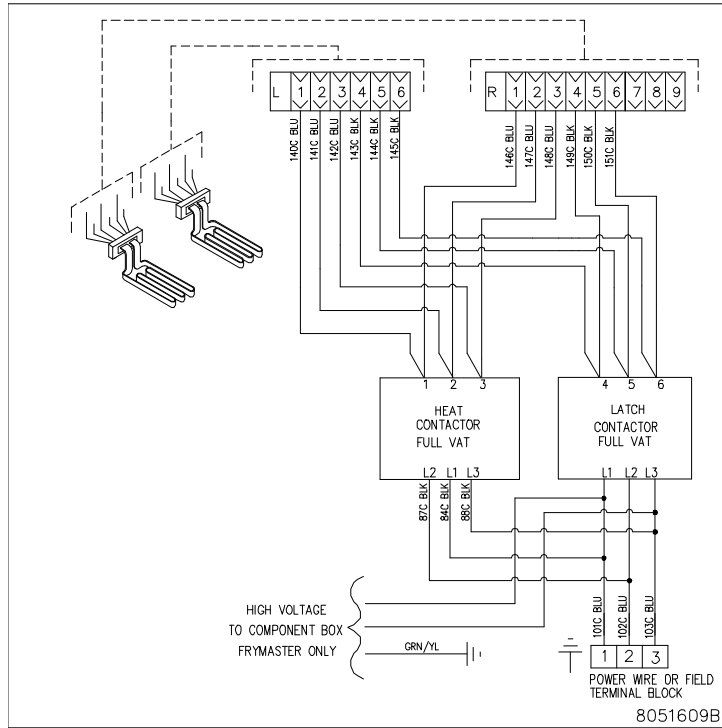
SECTION 1: WIRING DIAGRAMS

1.1 Control Wiring

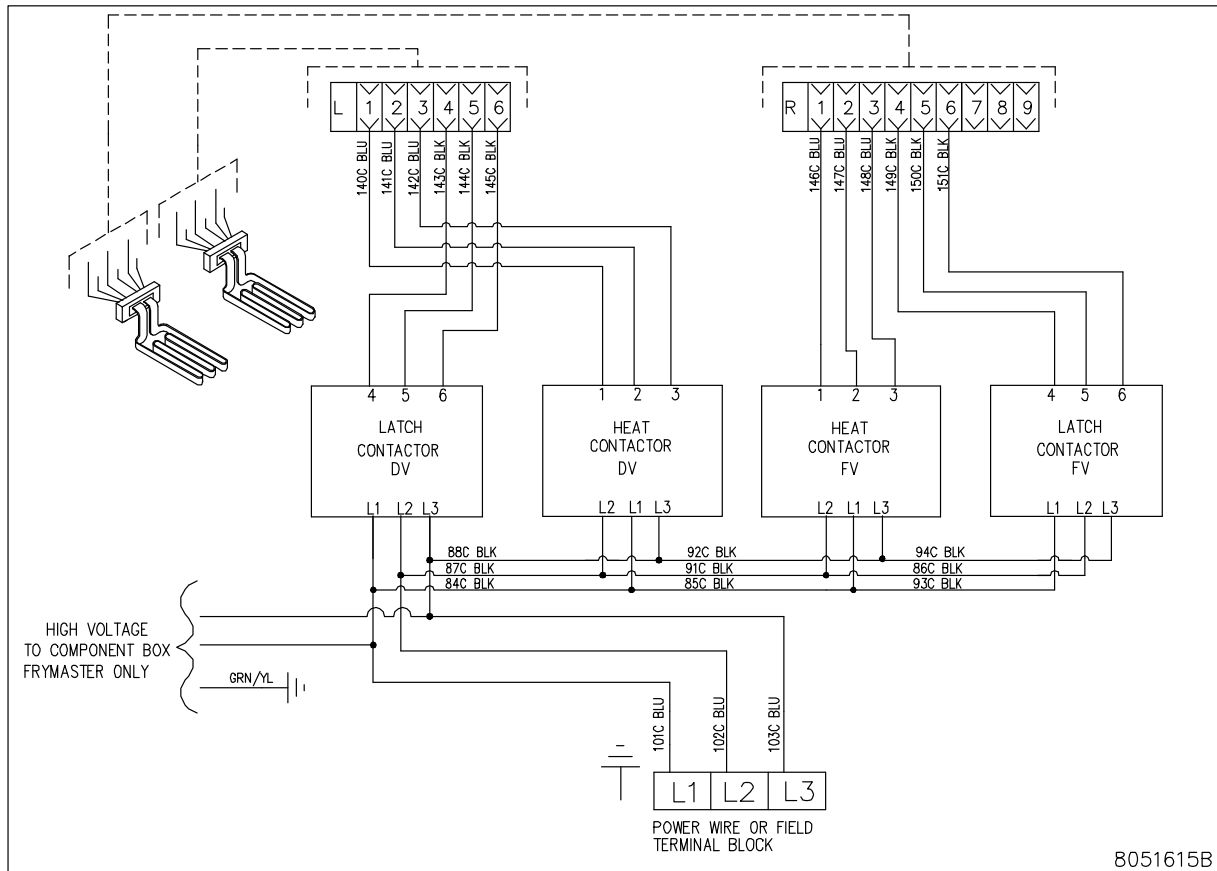


8051983E

1.2 Contactor Box – Delta Configuration

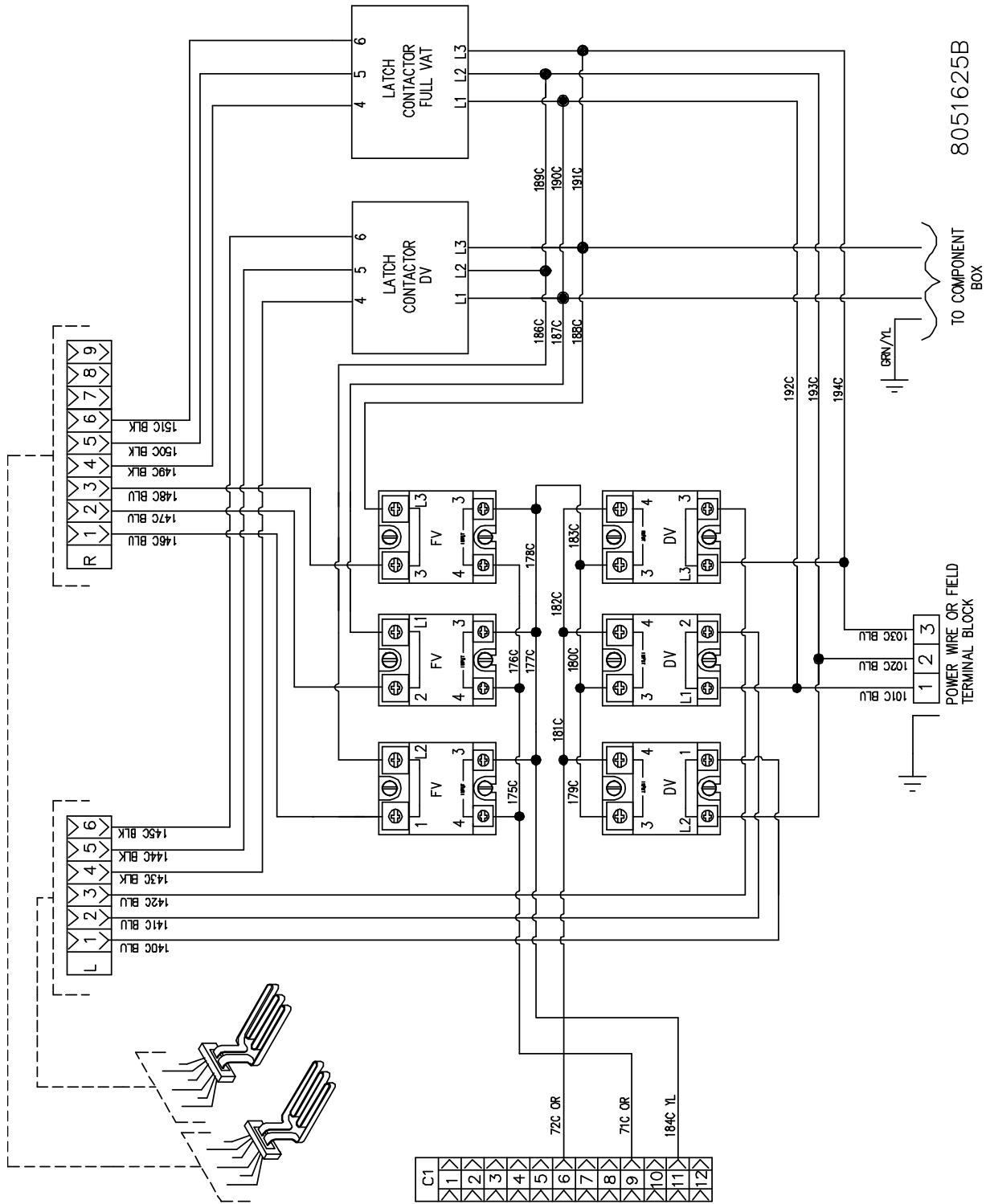


FULL VAT



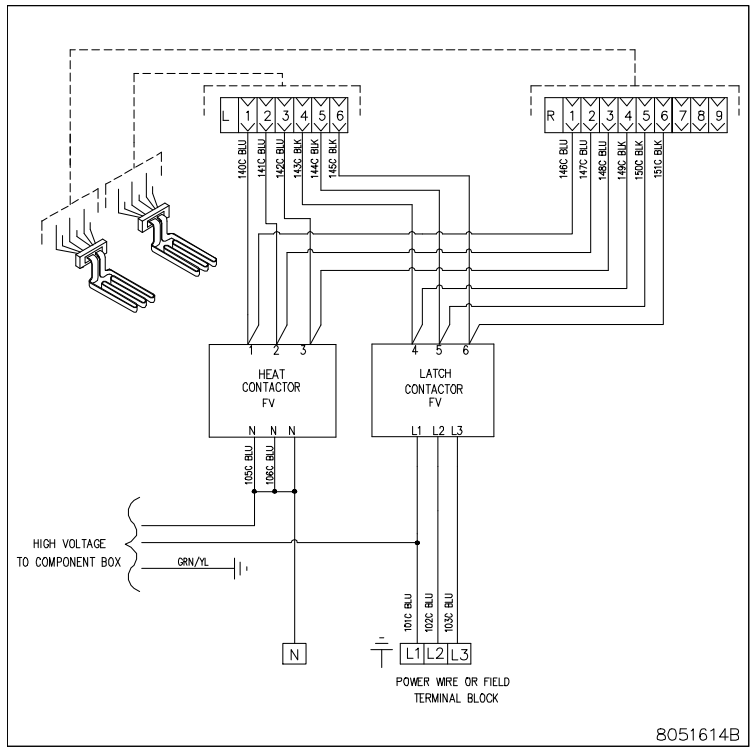
DUAL VAT

1.3 Contactor Box – Delta Configuration 14kW/17kW EPRI/TRIAC

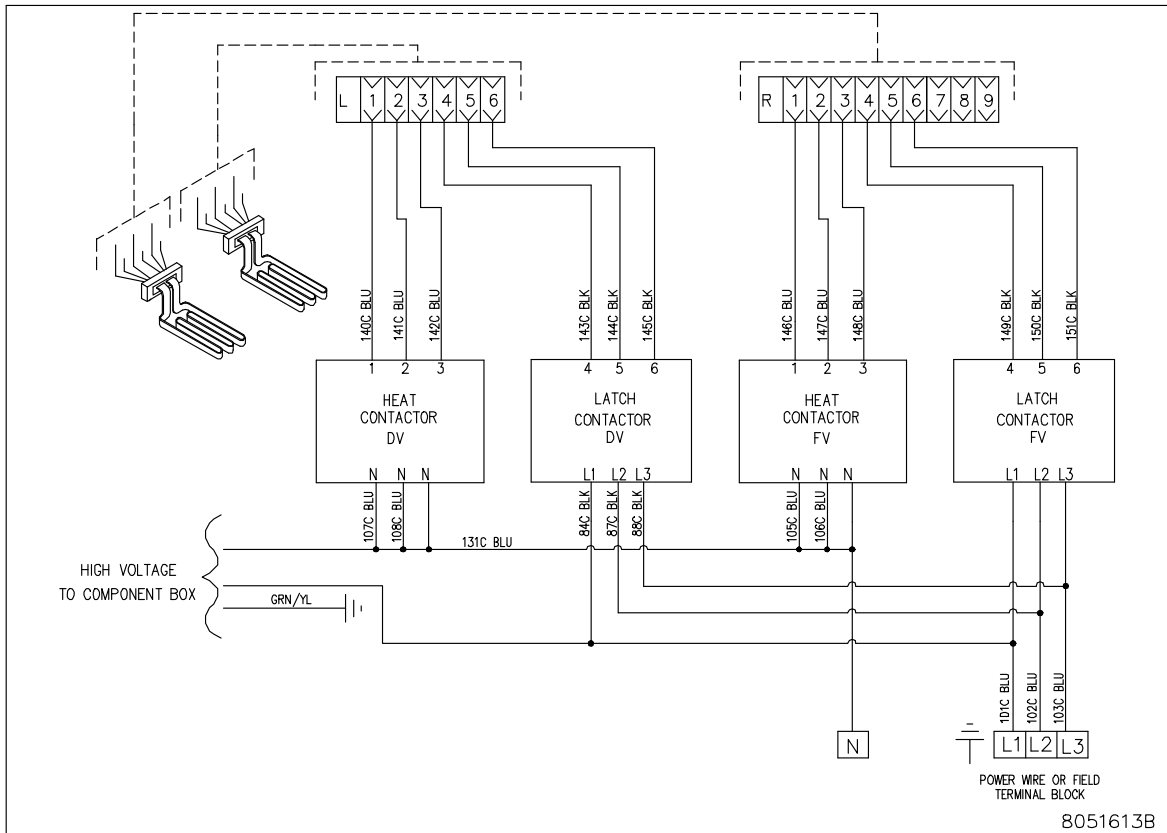


14kW / 17kW EPRI/TRIAC SSR ELEMENT WIRING

1.4 Contactor Box – WYE Configuration

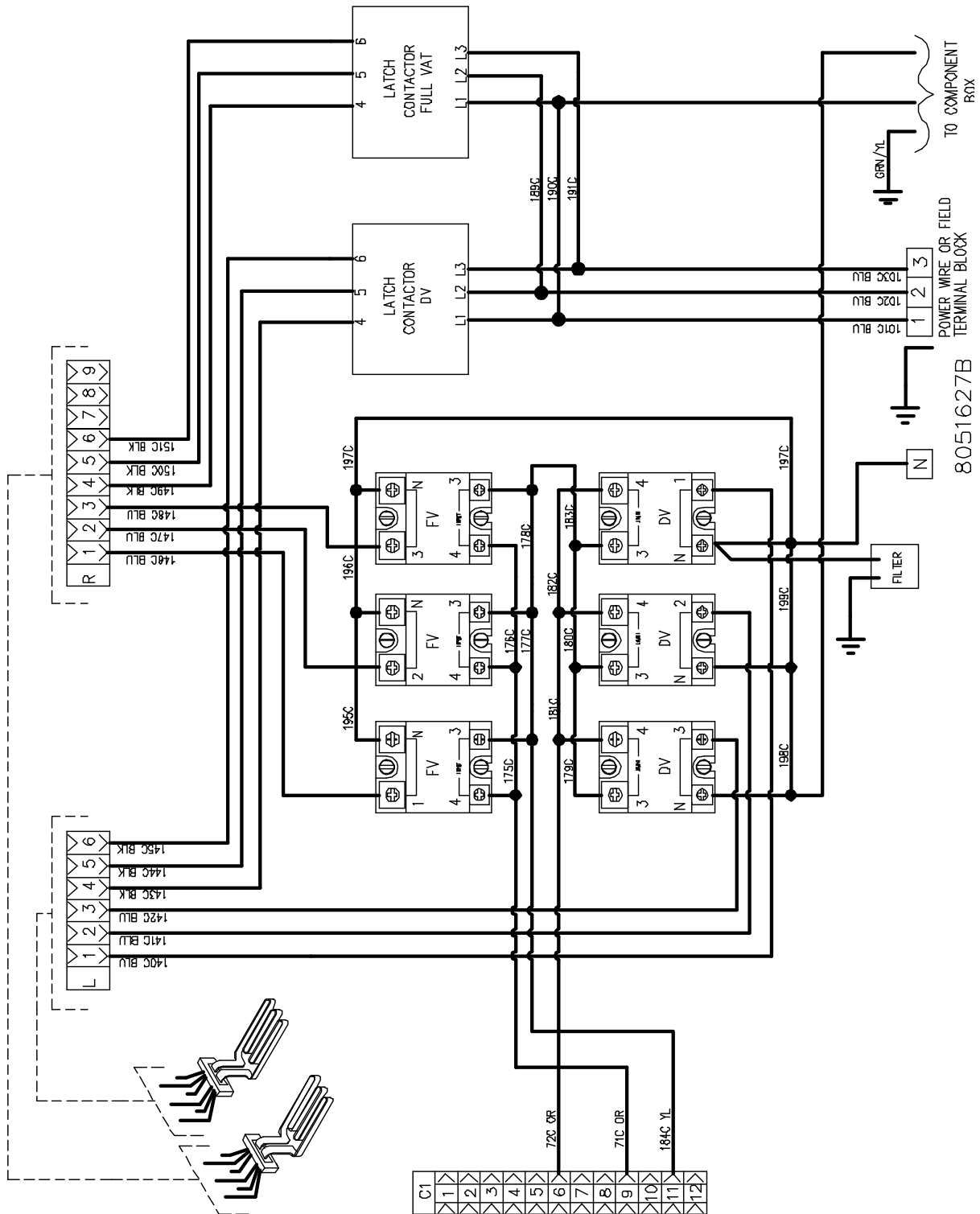


FULL VAT



DUAL VAT

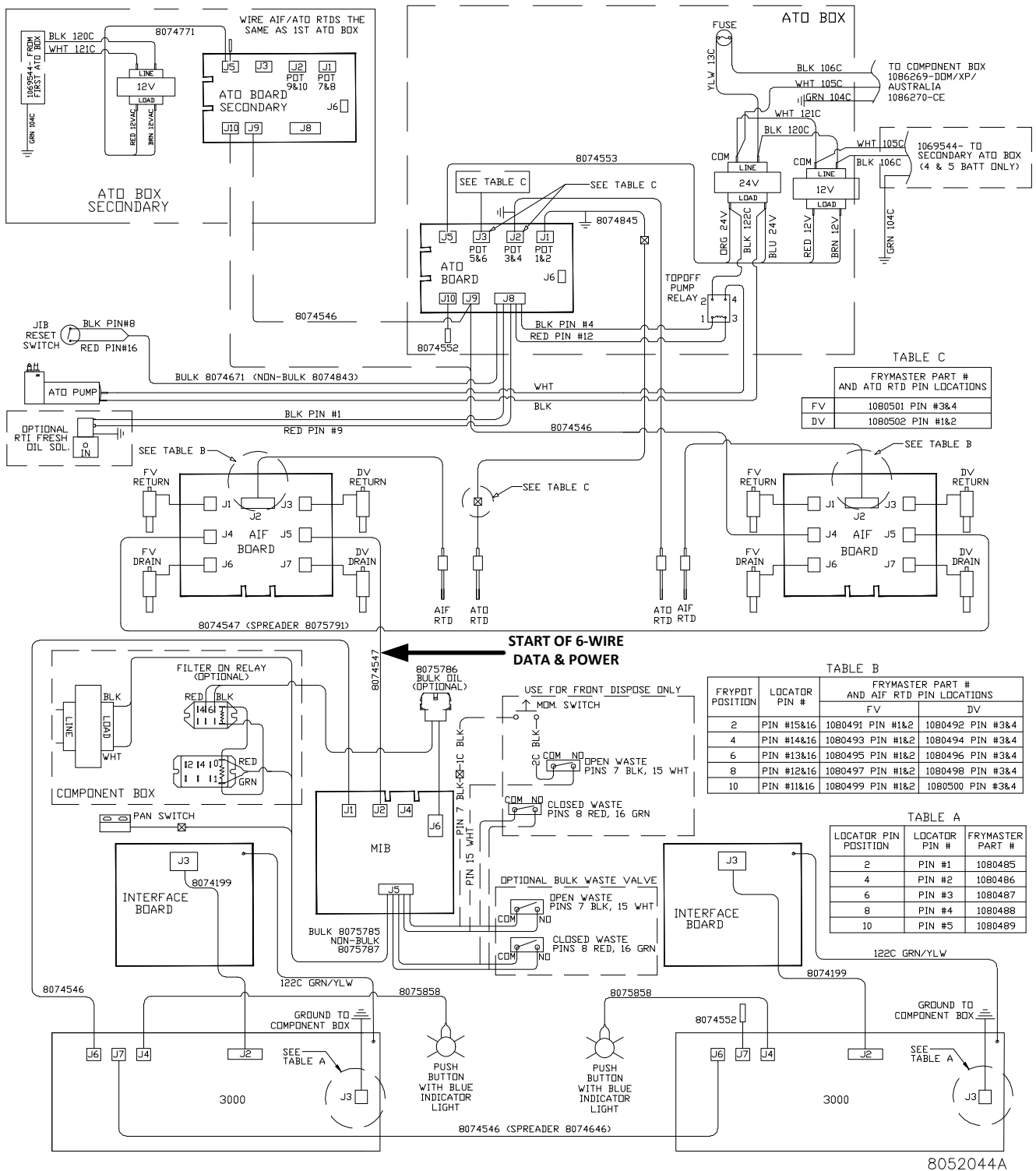
1.5 Contactor Box – WYE Configuration 14kW/17kW EPRI/TRIAC



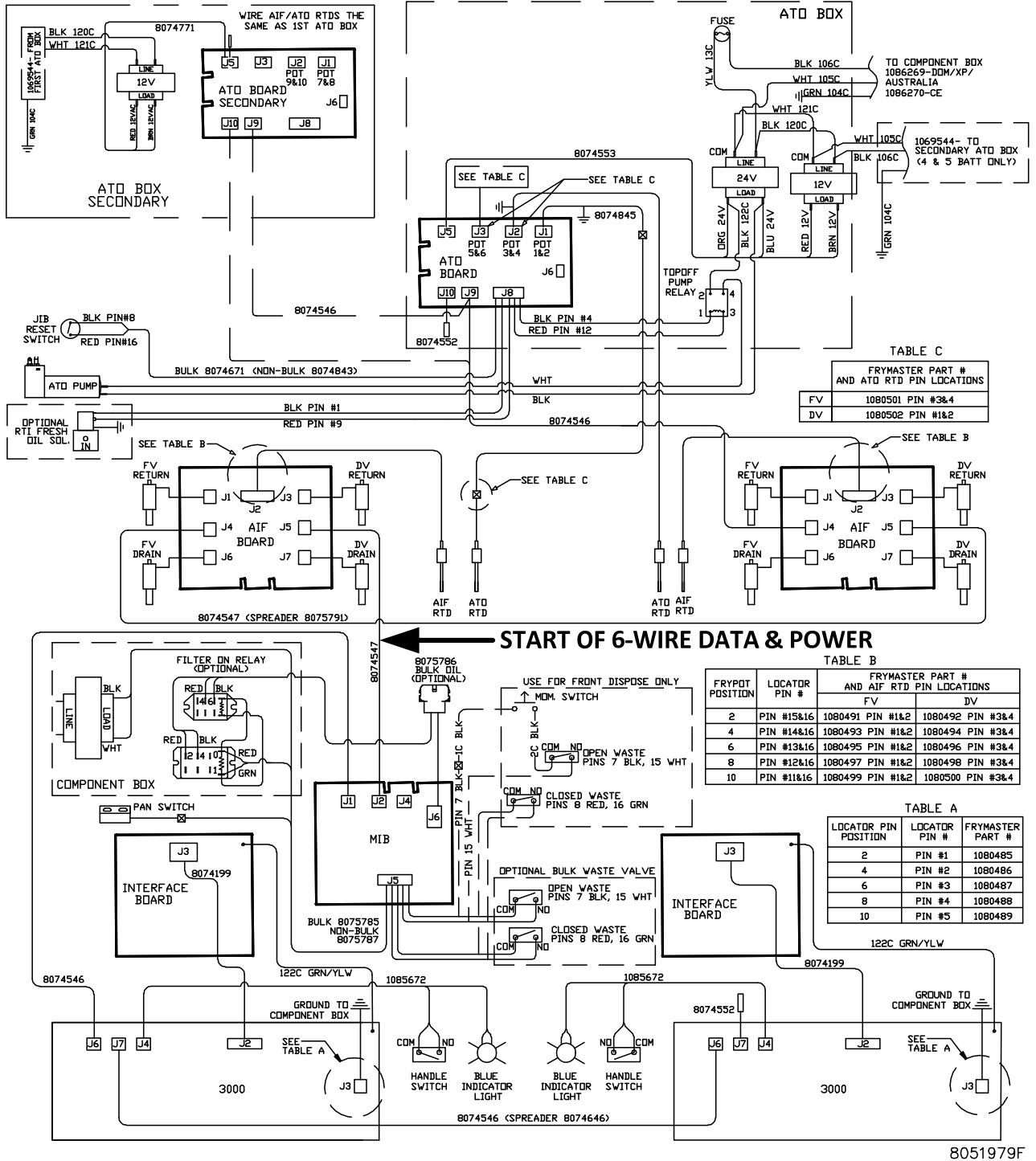
14kW / 17kW EPRI/TRIAC SSR ELEMENT WIRING

1.6 FilterQuick™ Electric Simplified Wiring

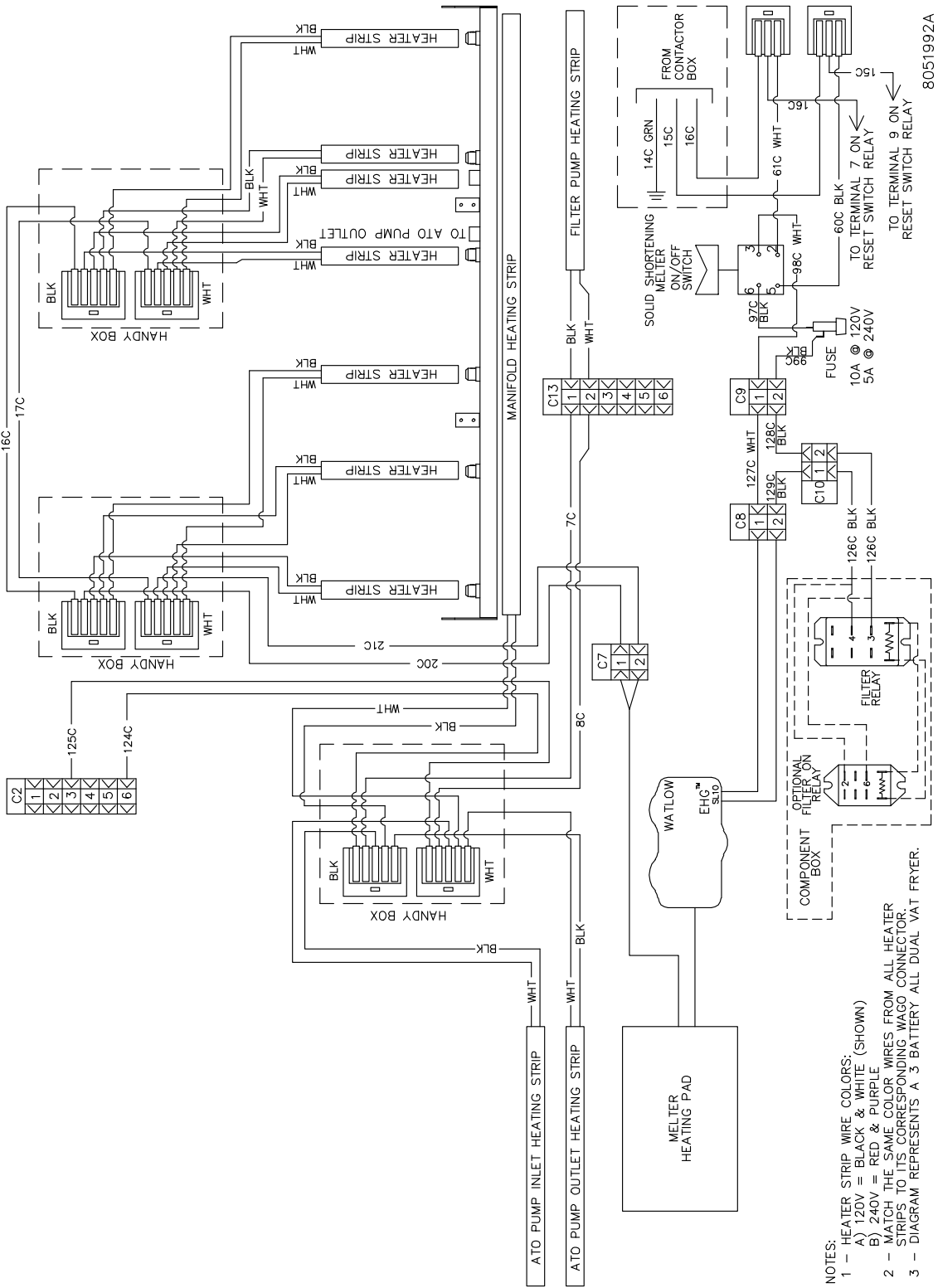
1.6.1 FilterQuick™ Electric Simplified Wiring with Push Button



1.6.2 FilterQuick™ Electric Simplified Wiring with Push Pull Handles

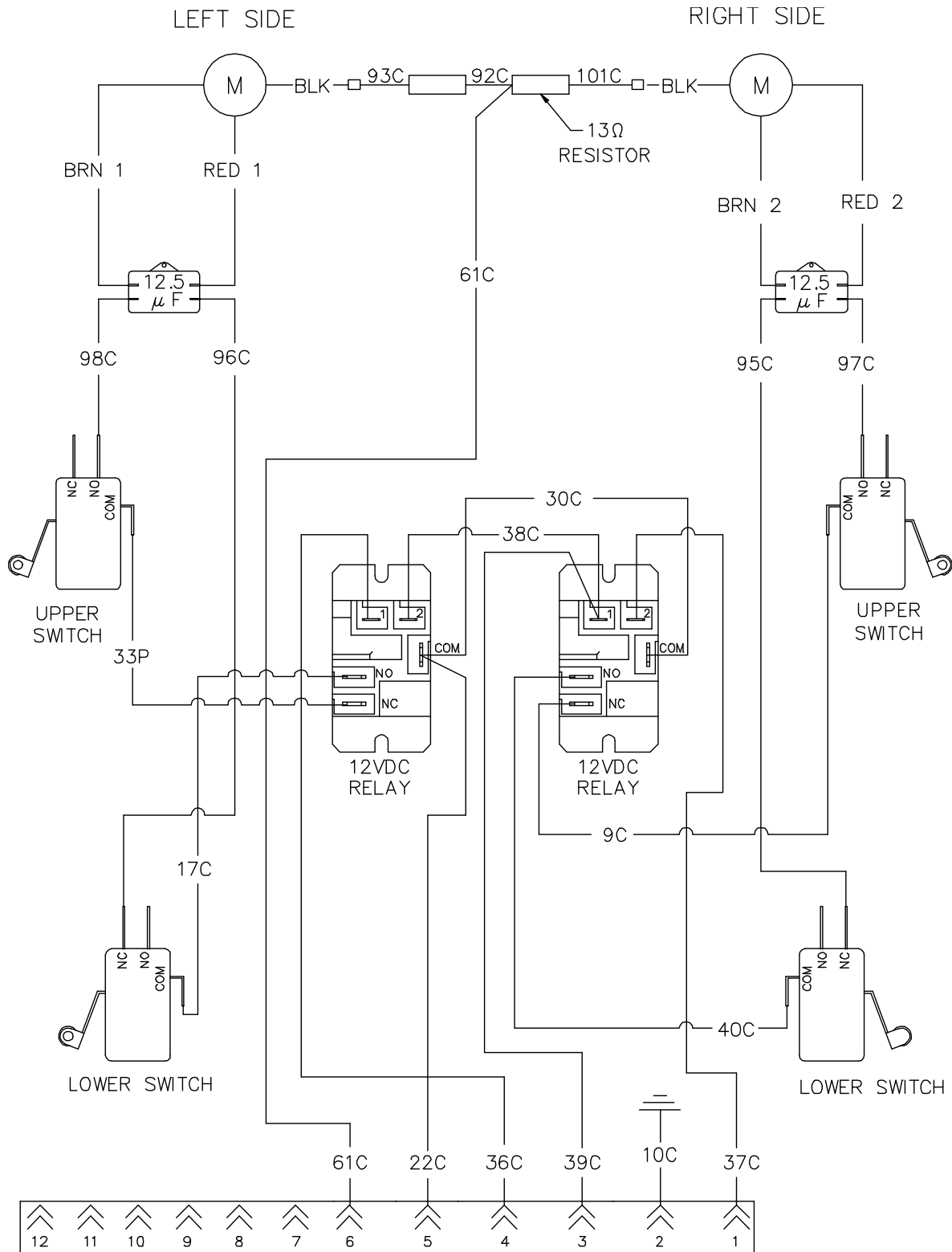


1.7 Shortening Melting Unit Wiring Diagram



8051992A

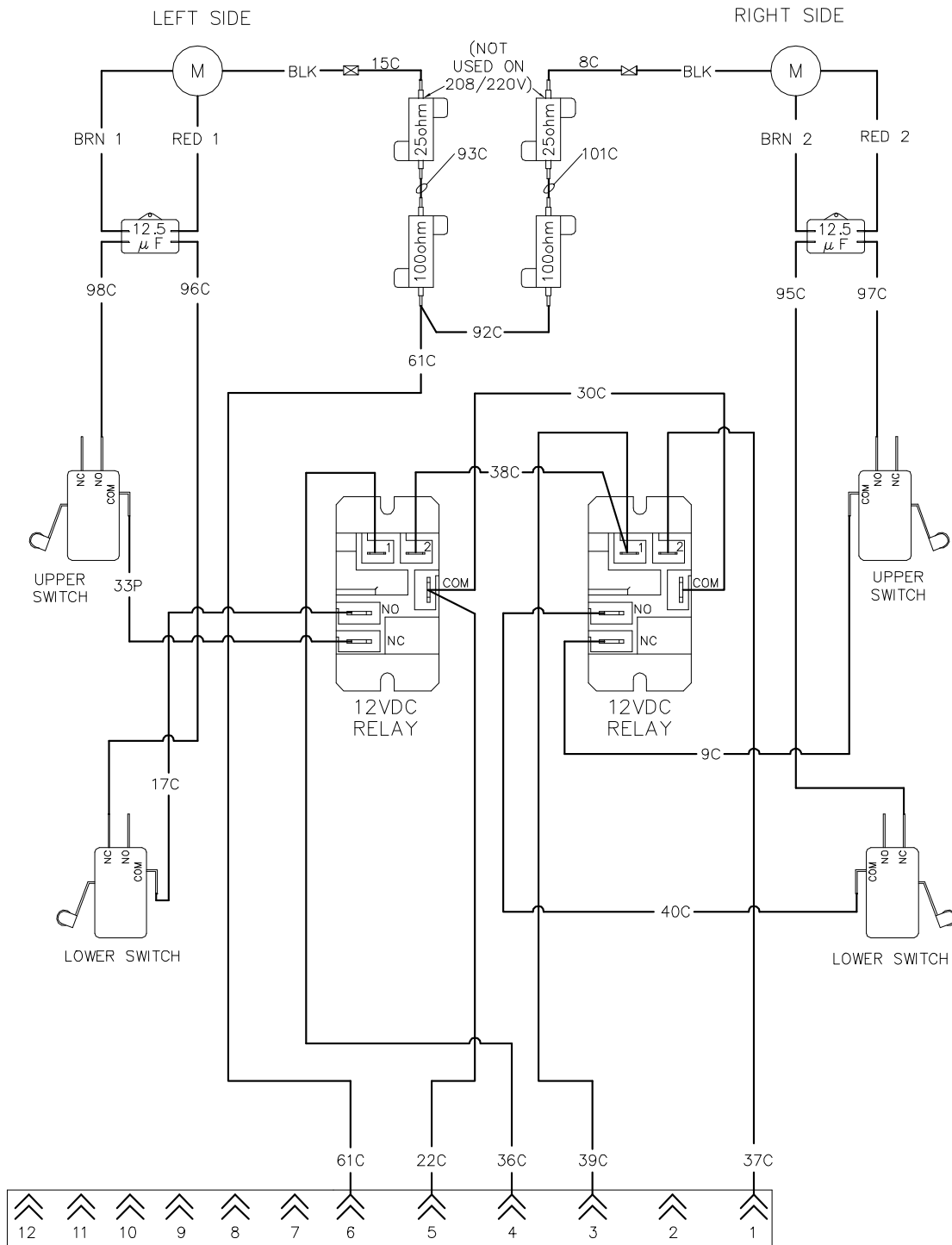
1.8 Modular Basket Lift Wiring Diagram 100-120V



REFERENCES TO LEFT & RIGHT ARE FROM THE REAR OF THE FRYER

8050555E

1.9 Modular Basket Lift Wiring Diagram 208-250V







REFERENCES TO LEFT & RIGHT ARE FROM THE REAR OF THE FRYER

8050888D

**WELBILT®***Bringing innovation to the table***WWW.WELBILT.COM**

Welbilt provides the world's top chefs, and premier chain operators or growing independents with industry leading equipment and solutions. Our cutting-edge designs and lean manufacturing tactics are powered by deep knowledge, operator insights, and culinary expertise. All of our products are backed by KitchenCare® – our aftermarket, repair, and parts service.

 CLEVELAND
CONVOTHERM® DELFIELD®
FITKITCHEN™ FRYMASTER®
GARLAND KOLPAK®
LINCOLN MANITOWOC®
MERCO® MERRYCHEF®
MULTIPLEX®